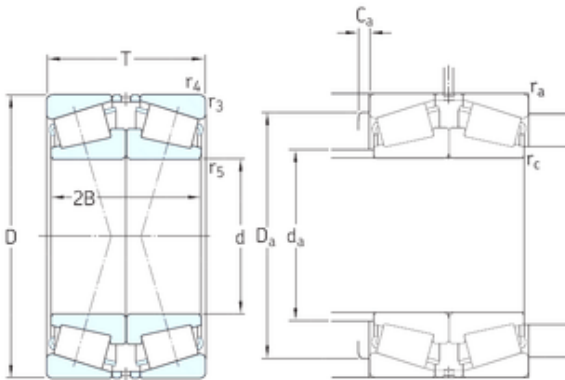




# NTN BEARING MFG.CORP.

## 100 mm x 215 mm x 47 mm SKF 30320J2/DFC400 Tapered Roller Bearing

Bearing No. 30320J2/DFC400



30320J2/DFC400 Bearing 2D drawings and 3D CAD models

Size	100x215x103 mm
Bore Diameter	100 mm
Outer Diameter	215 mm
Width	103 mm
d	100 mm
D	215 mm
T	103 mm
B	47 mm
r3 min.	3 mm
r4 min.	3 mm
r5 min.	1 mm
2B	94 mm
Ca max.	6 mm
da max	127 mm
Da min	184 mm
Da max.	201 mm
ra max.	2,5 mm
rc max.	1 mm
Weight	16,5 Kg
Basic dynamic load rating (C)	693 kN
Basic static load rating (C0)	980 kN
Fatigue load limit (Pu)	106
Reference speed	1900 r/min
Limiting speed	3200 r/min
Calculation factor (e)	0,35



## NTN BEARING MFG.CORP.

Calculation factor (Y0)	1,8
Calculation factor (Y1)	1,9