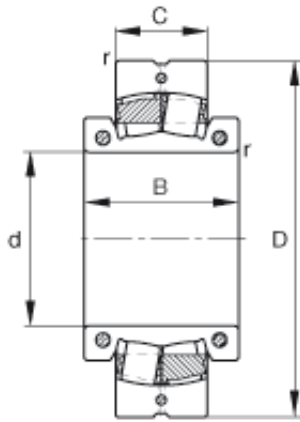




# NTN BEARING MFG.CORP.



## 150 mm x 280 mm x 133 mm FAG 231SM150-MA Spherical Bearing

Bearing No. 231SM150-MA

231SM150-MA Bearing 2D drawings and 3D CAD models

Size	150x280x88 mm
Bore Diameter	150 mm
Outer Diameter	280 mm
Width	88 mm
d	150 mm
D	280 mm
C	88 mm
B	133 mm
$r_{\min}$	2,1 mm
m	28 kg / Weight
$C_r$	710000 N / Dynamic load rating (radial)
e	0,29
$Y_1$	2,32
$Y_2$	3,45
$C_{0r}$	1040000 N / Static load rating (radial)
$Y_0$	2,26
$n_G$	930 1/min / Limiting speed
$C_{ur}$	87000 N / Fatigue limit load, radial
$F_{a \max}$	22000 N / Permissible axial load, for inner ring without axial abutment
$M_i$	69 Nm / Tightening torque per clamping screw



## NTN BEARING MFG.CORP.

$M_a$	35 Nm / Tightening torque per clamping screw
	23134K / Designation, spherical roller bearing, unsplit
	H3134 / Adapter sleeve