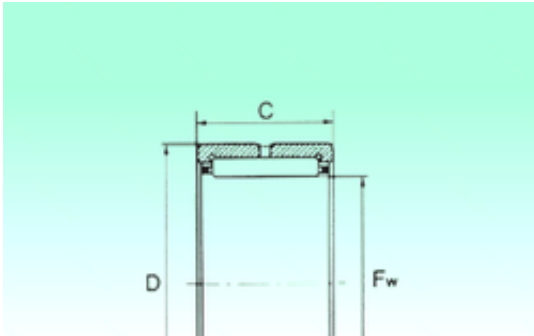




# NTN BEARING MFG.CORP.



## NBS NKS 45 Needle Bearing

Bearing No. NKS 45

Size	45x60x22 mm
Bore Diameter	45 mm
Outer Diameter	60 mm
Width	22 mm
Fw	45 mm
D	60 mm
C	22 mm
Weight	0,145 Kg
Basic dynamic load rating (C)	38,5 kN
Basic static load rating (C0)	57 kN

NKS 45 Bearing 2D drawings and 3D CAD models