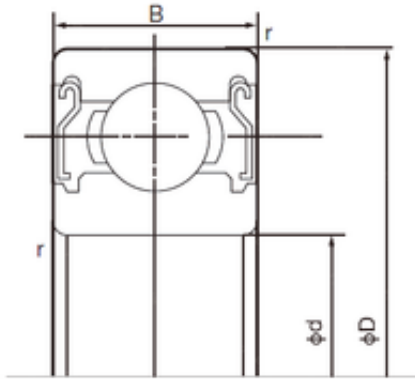




# NTN BEARING MFG.CORP.

## 80 mm x 125 mm x 22 mm NACHI 6016ZZ Deep Groove Ball Bearing



Bearing No. 6016ZZ

6016ZZ Bearing 2D drawings and 3D CAD models

Size	80x125x22 mm
Bore Diameter	80 mm
Outer Diameter	125 mm
Width	22 mm
d	80 mm
D	125 mm
B	22 mm
C	22 mm
r min.	1.1 mm
da min.	86 mm
Da max.	119 mm
ra max.	1.0 mm
Weight	0.855 Kg
Basic dynamic load rating (C)	47,5 kN
Basic static load rating (C0)	39,5 kN
Category	Single Row Ball Bearings
Inventory	0.0
Manufacturer Name	NACHI
Minimum Buy Quantity	N/A
Weight / Kilogram	0
EAN	4991893526585
Product Group	B00308
Enclosure	2 Metal Shields
Precision Class	ABEC 1   ISO P0
Maximum Capacity / Filling	No



## NTN BEARING MFG.CORP.

Slot	
Rolling Element	Ball Bearing
Snap Ring	No
Internal Special Features	No
Cage Material	Steel
Internal Clearance	C0-Medium
Inch - Metric	Metric
Long Description	80MM Bore; 125MM Outside Diameter; 22MM Outer Race Width; 2 Metal Shields; Ball Bearing; ABEC 1   ISO P0; No Filling Slot; No Snap Ring; No Internal Special Features; C0-Medium Internal Clearance; Ste
Other Features	Deep Groove
Category	Single Row Ball Bearing
UNSPSC	31171504
Harmonized Tariff Code	8482.10.50.68
Noun	Bearing
Keyword String	Ball
Manufacturer URL	<a href="http://www.nachi-america.com">http://www.nachi-america.com</a>
Bore	3.15 Inch   80 Millimeter
Outer Race Width	0.866 Inch   22 Millimeter
Outside Diameter	4.921 Inch   125 Millimeter
Inner Race Width	0 Inch   0 Millimeter
Bore Type	Cylindrical Bore
Configuration	Single Row
Bore Size	80 mm
Width	22 mm
Fillet Radius/Chamfer	1.1 mm
Dynamic Load Rating	47,500 N
Static Load Rating	39,500 N



## NTN BEARING MFG.CORP.

Limiting Speed - Grease	5,300 rpm
Factor $f_0$	15.6
Radial Clearance	0.010 to 0.030 mm
$d_a$ (min)	86 mm
$D_a$ (max)	119 mm
$r_a$ (max)	1 mm