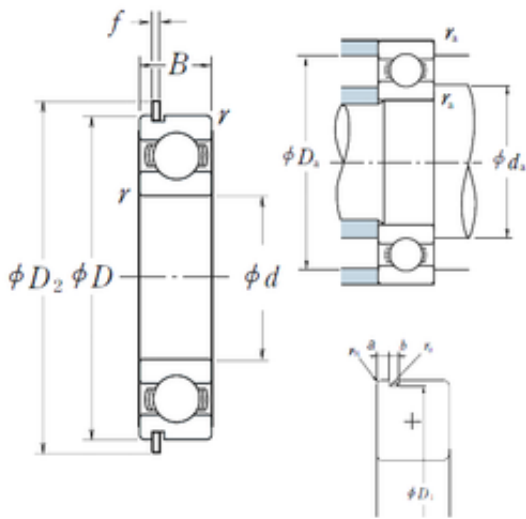




NTN BEARING MFG.CORP.

70 mm x 100 mm x 16 mm NSK 6914NR Deep Groove Ball Bearing

Bearing No. 6914NR



6914NR Bearing 2D drawings and 3D CAD models

Size	70x100x16 mm
Bore Diameter	70 mm
Outer Diameter	100 mm
Width	16 mm
d	70 mm
D	100 mm
B	16 mm
C	16 mm
rn	0,5 mm
a	2,5 mm
b	1,3 mm
f	1,12 mm
r min.	1 mm
r0 max.	0,4 mm
D1	97,9 mm
D2	104,4 mm
da min.	75 mm
da max	77,5 mm
Da max.	95 mm
ra max.	1 mm
Weight	0,349 Kg
Basic dynamic load rating (C)	23,7 kN
Basic static load rating (C0)	21,2 kN
(Grease) Lubrication Speed	6 300 r/min
(Oil) Lubrication Speed	7 500 r/min



NTN BEARING MFG.CORP.

SRI	4.52
hidYobi	6914NR
LangID	1
ro	0.4
D_	100
SREX	0.02
B_	16
da min	75
hidTable	ecat_NS RDGB
Oil rpm	7500
SRE	4.52
Cy	3.3
mass	0.349
GRS rpm	6300
ra	1
SRIX	0.02
D_a	95
SRIN	-0.02
C0	21.2
fo	16.3
SREN	-0.02
DE_	93.731
Prod_Type3	DGBB_SR_NR_OT
DA_	8.731
bomp	0
Z_	17
yobi	6914NR
Dx	106
C_conv	23700
ALPHA_	0
SDM_	85
r	1



NTN BEARING MFG.CORP.

KBRG	6101
SBRG	19
DI_	76.269