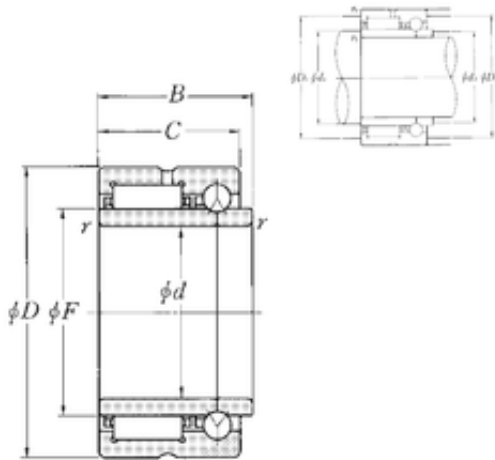




NTN BEARING MFG.CORP.

20 mm x 37 mm x 25 mm NTN NKIB5904R Complex Bearing Unit

Bearing No. NKIB5904R



NKIB5904R Bearing 2D drawings and 3D CAD models

Size	20x37x25 mm
Bore Diameter	20 mm
Outer Diameter	37 mm
Width	25 mm
d	20 mm
F	25 mm
D	37 mm
B	25 mm
C	23 mm
r min.	0,3 mm
da min.	22,5 mm
Da max.	34,5 mm
ra max.	0,3 mm
Weight	0,107 Kg
Dynamic load rating radial (C)	21,3 kN
Dynamic load rating axial (C)	4,65 kN
Static load rating radial (C0)	25,5 kN
Static load rating axial (C0)	7,4 kN
(Grease) Lubrication Speed	11000 r/min