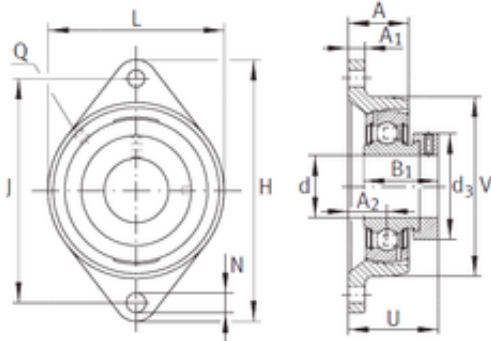




# NTN BEARING MFG.CORP.

## INA PCJT1-3/4 Bearing Unit



Bearing No. PCJT1-3/4

PCJT1-3/4 Bearing 2D drawings and 3D CAD models

Bore Diameter	44,45 mm
d	44,45 mm
V	111,989 mm
U	56,794 mm
Thread (Q)	1/8 NPT
d3	62,992 mm
A	38,506 mm
A1	15,011 mm
B	43,79 mm
H	180,492 mm
J	148,514 mm
L	111,989 mm
N	13,995 mm
A2	24,003 mm
Category	Flange Block Bearings
Inventory	0.0
Manufacturer Name	SCHAEFFLER GROUP
Minimum Buy Quantity	N/A
Weight / Kilogram	2.1
Product Group	M06110
Number of Mounting Holes	2
Mounting Method	Eccentric Collar
Housing Style	2 Bolt Flange Block
Rolling Element	Ball Bearing
Housing Material	Cast Iron
Expansion / Non-expansion	Non-expansion



## NTN BEARING MFG.CORP.

Mounting Bolts	27/49 Inch
Relubricatable	Yes
Insert Part Number	GRA112NPPB
Seals	Double Lip Contact
Housing Configuration	1 Piece Solid
Pilot Configuration	No Pilot
Inch - Metric	Inch
Long Description	2 Bolt Flange Block; 1-3/4" Bore; 5.8" Bolt Circle; 5.847" Bolt Spacing; 1 Piece Solid; Eccentric Collar Mount; Cast Iron; Ball Bearing; 1.721" Length Thru Bore; Relubricatable; Do
Other Features	Single Row   With Set Screw
Category	Flange Block
UNSPSC	31171501
Harmonized Tariff Code	8483.20.40.40
Noun	Bearing
Keyword String	Flanged
Manufacturer URL	<a href="http://www.ina.com">http://www.ina.com</a>
Manufacturer Item Number	PCJT1-3/4
Weight / LBS	4.631
Bore	1.75 Inch   44.45 Millimeter
Cartridge Pilot Depth	0 Inch   0 Millimeter
Cartridge Pilot Diameter	0 Inch   0 Millimeter
Nominal Bolt Circle Diameter Round	5.8 Inch   148 Millimeter
Length Thru Bore	1.721 Inch   43.713 Millimeter
Bolt Spacing	5.847 Inch   148.514 Millimeter