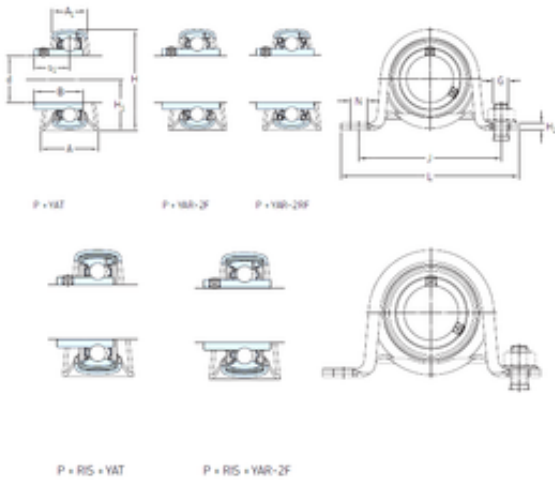




NTN BEARING MFG.CORP.



SKF P 52 R-3/4 TF Bearing Unit

Bearing No. P 52 R-3/4 TF

Bore Diameter	19.05 mm
d	19.05 mm
s1	18,3 mm
A	32 mm
A1	24 mm
B	31 mm
G	10 mm
H	56 mm
H1	28,3 mm
H2	3,2 mm
J	86 mm
L	108 mm
N	11,2 mm
Weight	0,27 Kg
Basic dynamic load rating (C)	12,7 kN
Basic static load rating (C0)	6,55 kN
Housing material	Pressed steel
A ₁	23 mm
B ₄	4.5 mm
H ₁	28.4 mm
H ₂	3.2 mm
s ₁	18.3 mm
Basic dynamic load rating C	12.7 kN
Basic static load rating C ₀	6.55 kN
Fatigue load limit P _u	0.28 kN
Permissible radial housing	1.8 kN

P 52 R-3/4 TF Bearing 2D drawings and 3D CAD models



NTN BEARING MFG.CORP.

load max.	
Limiting speed	8500 r/min
Mass bearing unit	0.28 kg
Thread grub screw G ₂	1/4-28 UNF
Hexagonal key size for grub screw N	3.175 mm
Recommended tightening torque for grub screw	4 N · m
Recommended diameter for attachment bolts, mm G	10 mm
Recommended diameter for attachment bolts, inch G	0.375 in