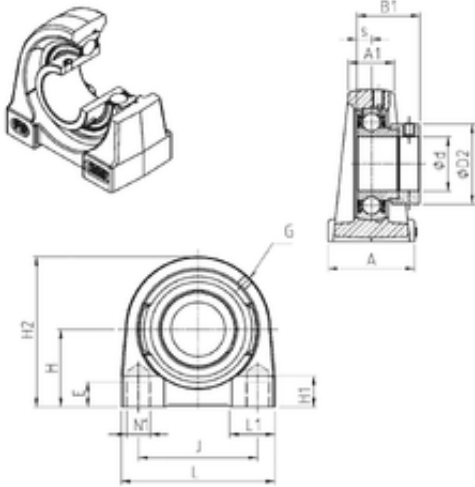




NTN BEARING MFG.CORP.



SNR ESG210 Bearing Unit

Bearing No. ESG210

Bore Diameter	50 mm
d	50 mm
s	11 mm
A	60 mm
A1	35 mm
B1	43,7 mm
D2	69,9 mm
E	25 mm
H	57,2 mm
H1	21 mm
H2	114 mm
J	95 mm
L	135 mm
L1	40 mm
Thread (G)	M6x1
Thread (N1)	M16
Weight	2,8 Kg
Basic dynamic load rating (C)	35,1 kN

ESG210 Bearing 2D drawings and 3D CAD models