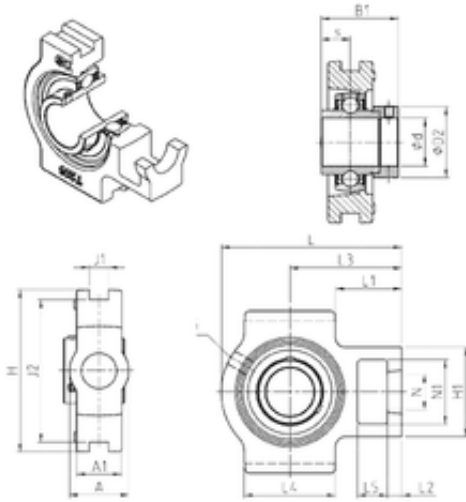




NTN BEARING MFG.CORP.



SNR EXT212 Bearing Unit

Bearing No. EXT212

Bore Diameter	60 mm
d	60 mm
L4	102 mm
L5	32 mm
L2	19 mm
L3	119 mm
s	30,9 mm
A	64 mm
A1	42 mm
B1	77,7 mm
D2	84,2 mm
H	146 mm
H1	102 mm
L	194 mm
L1	68 mm
N	35 mm
N1	64 mm
Thread (G)	M6x1
J1	22 mm
J2	130 mm
Weight	5,1 Kg
Basic dynamic load rating (C)	52,5 kN
A2	42 mm
B	61.8 mm
A5	30.9 mm
d1	82 mm

EXT212 Bearing 2D drawings and 3D CAD models



NTN BEARING MFG.CORP.

G	M6x1
H2	102 mm
N2	64 mm
s1	53.2 mm
S	30.9 mm
SW	5 mm
C	52.5 kN
C0	32.8 kN
T min.	-20 ° C
T max.	100 ° C
Recommended tightening torque for set screw	22 Nm
Designation of housing	T212-
Designation of bearing	EX212G2