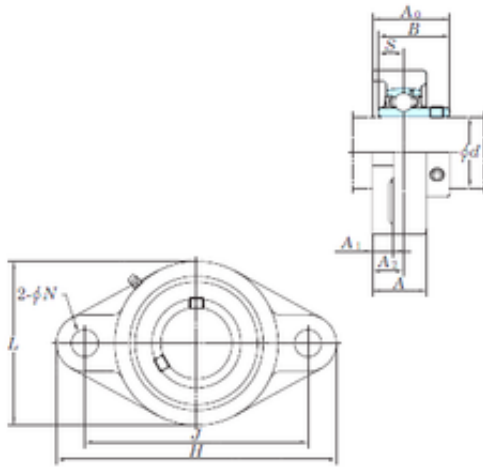




NTN BEARING MFG.CORP.

KOYO UCFLX10-32 Bearing Unit

Bearing No. UCFLX10-32



UCFLX10-32 Bearing 2D drawings and 3D CAD models

Bore Diameter	50,8 mm
d	50,8 mm
A0	59,4 mm
A	44 mm
A1	20 mm
B	55,6 mm
H	216 mm
J	184 mm
L	133 mm
N	19 mm
S	22,2 mm
A2	26 mm
Weight	3,8 Kg
Basic static load rating (C0)	43,4 kN